

MONOTUBULAR BASKETBALL GOAL

TP SPORT

REF. BAMON

DESCRIPTION

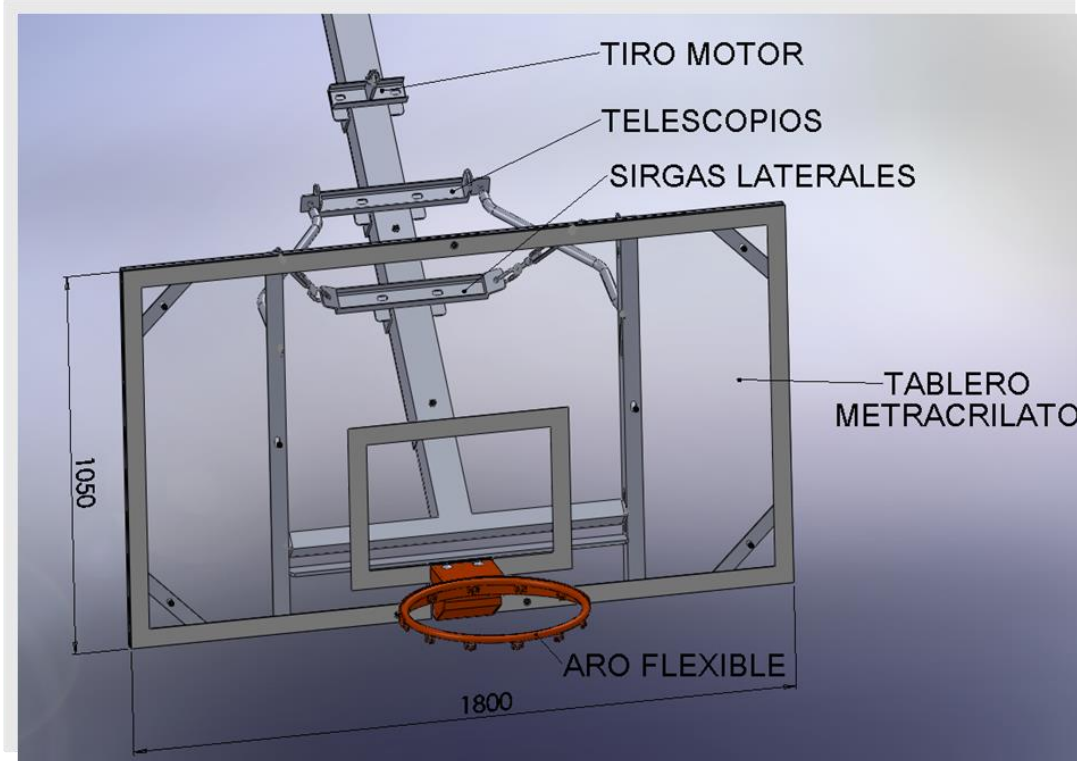
Hanging monotubular basketball goal TP, retractable to the roof with single-phase motor 220v or electrical motor reducer 220/380 V.

Manufactured as per norm UNE EN 1270:2006. Type class A-B-C-D-E in steel structural tube, formed by a central square 100x100x3 with a telescopic interior tube 90x90x3, designed to fix and regulate the backboard and facilitate the height position of the ring, and therefore fixed through high resistance screws.

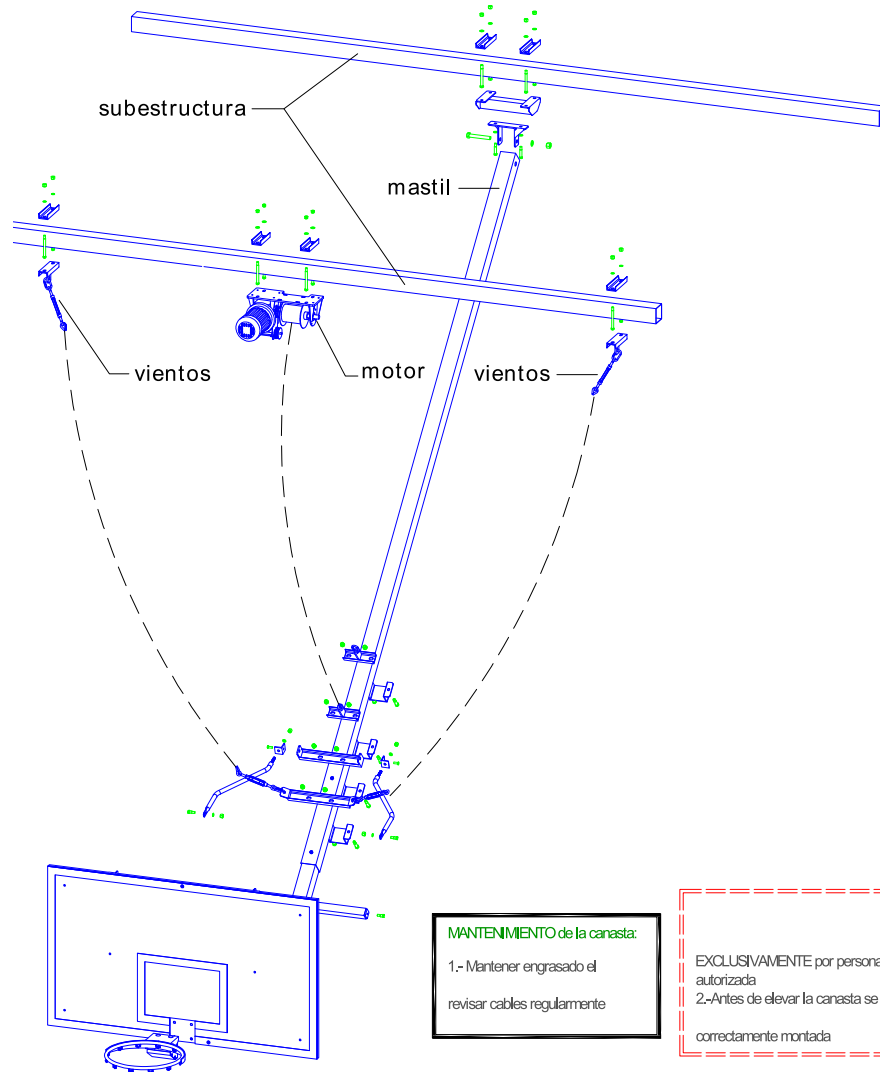
Lateral supports screwed to the central pole in order to fix the steel anti-rotating cables 5mm thickness and placed 19+1 at the ceiling structure, which makes the basketball goal still at the game height.

The electrical installation is not included.

SCHEME MEASURES OF UNFOLDED BASKETBALL GOAL



GENERAL OUTLINE OF THE COMPONENTS OF THE BASKETBALL GOAL



ACCESSORIES

BAACC410	BAACC401	BAACC401
Manual Winch	Single phase motor	Three phase motor
To raise a maximum weight of 250 kg	To raise a maximum weight of 180 kg . Composed of single-phase electric motor with wirecatcher and incorporates end switch.	To raise a maximum weight of 400 Kg . Composed of three-phase geared motor, limit switches and wirecatcher. It includes a control box with pushbutton panel.

BAACC500	BAACC510
Dispositivo de seguridad ⁴	Dispositivo de seguridad ⁴
Safety device up to 10m. Security harness device as per norm EN360 I AFNOR NFS 7120. Model with steel cable with automatic coiling and uncoiling. Full braking at 20cm, protecting against strokes in case the basketball goal falls up to 10 meters.	Security harness device as per norm EN360 I AFNOR NFS 7120. Model with steel cable with automatic coiling and uncoiling. Full braking at 20cm, protecting against strokes in case the basketball goal falls up to 20 meterS
10 METERS LONG	20 METERS LONG

