

POLYPROPYLENE SEATS TP SPORT

REF. TP SPORT DINAMIC

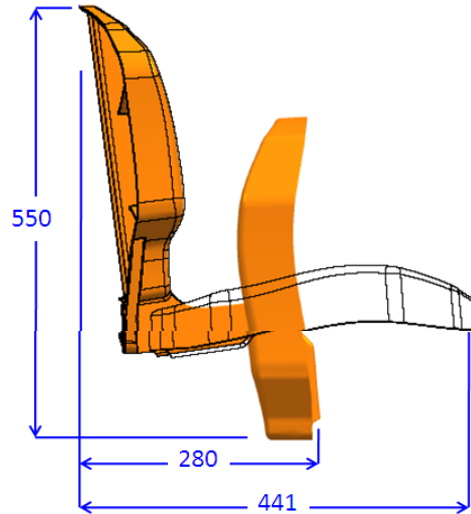
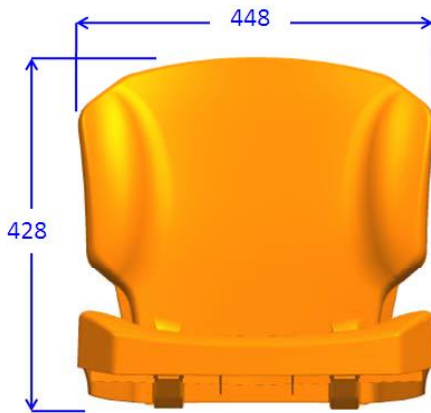
DESCRIPTION

Folding seat with back support, which combines all the fundamental aspects from the design point of view, ergonomics, dimensionality, easy to mount and durability. The lower part is foldable due to gravity force. This seat is also ideal to solve limited space problems as its fixation can be done on top of the wall tribune. It can be installed on a single metal bar, in an individual metallic support in front of the tribune or by an individual metallic leg anchored on top of the tribune. Single Polypropylene seat, mass coloured with Master Bach copolymer, with 428 mm high, 448 mm wide and 280 mm deep. Shiny surface

TECHNICAL FEATURES

- Made of high impact polypropylene with Anti- UV treatment.
- Bending strength according to standard UNE EN ISO 178 (26N7mm2)
- CHARPY impact resistance according to norm: :UNE EN ISO 179 (8kj/m2)
- Traction resistance according to norm: UNE EN ISO 527 parte 1,2 y 3 (20N/mm)
- Elongation at break: (VN50mm/min) 600%.
- Hardness according to norm ISO868 :(65 Shore D).
- U.V Light resistance as per norm DIN 53388.
- DIN 54003 (1-8) results 8 (excellent) in photometric scale additivations for raw materials compliance with: resolution 4/11/1982 Spanish Ministry of Health resolution AP (89) from the European Congress Spanish norm: UNE 93-011-83/ part III European norm EN 71, part 3 legislative act from 24/04/1997, nº11/1997, chapter V, article 13, which establishes the maximum concentration of Lead, Cadmium, Mercury and Hexavalent Chromium directive 94/62/CE of the European department and the European Council 20/12/1994.
- HD High premium polypropylene, 100% recyclable.
- M3 Fire resistance according to norm UNE 23727





Available colors:

White	RAL 9016
Black	RAL 9017
Orange	RAL 2008
Green	RAL 6001
Blue	RAL 5015
Yellow	RAL 1018
Red	RAL 3002
Grey	RAL 7001