

SIDE-FOLD WALL-MOUNTED BASKETBALL GOAL TP SPORT

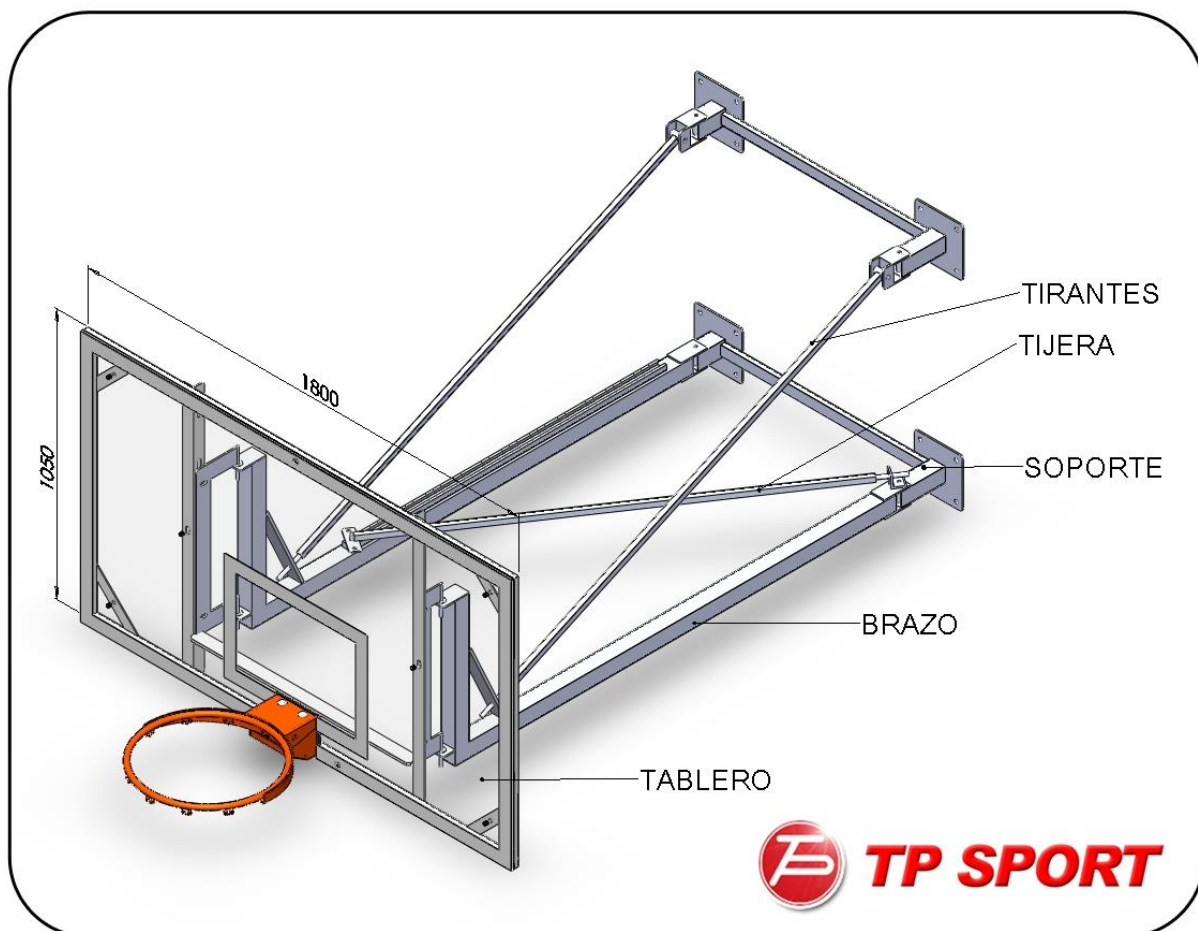
REF. BAPAR

DESCRIPTION

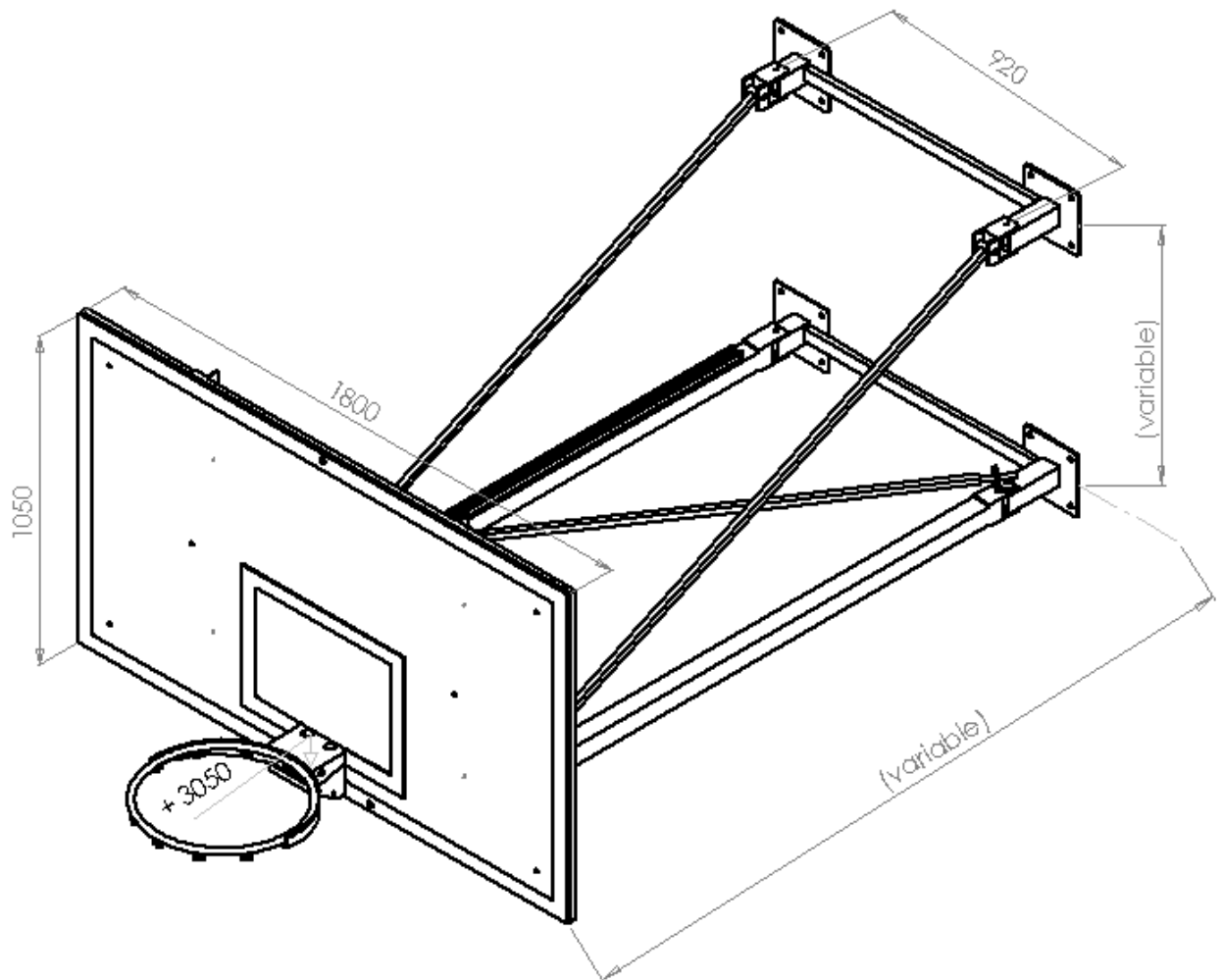
TP SPORT wall foldable basket goal with manual folding and fixed for the game position through mechanical locking

Constructed as per norm UNE EN 1270:2006 type 3 classes A-B-C-D-E, in structural steel tube with the horizontal structure to support the rim with back suspenders attached to the main structure and which can be levelled through thread leellers. They support the tensions and movements done during the game.

These basketball goals can be folded in both sides, depending on the characteristics of the fields and are tailor made as a result of the different measures between the wall and the play field.



GENERAL OUTLINE OF THE COMPONENTS OF THE BACKBOARD (UNFOLDED)



GENERAL OUTLINE OF THE COMPONENTS OF THE BASKETBALL (FOLDED)

